

Order No. / Order date	Please state Customer No.	Signature	KOMET internal
------------------------	---------------------------	-----------	----------------

Company:

Address:

Contact:

Department:

Phone:

Fax:

E-Mail:

Order

Inquiry

Quantity:

Material to be machined:

∅ D =

N =

∅ D1 =

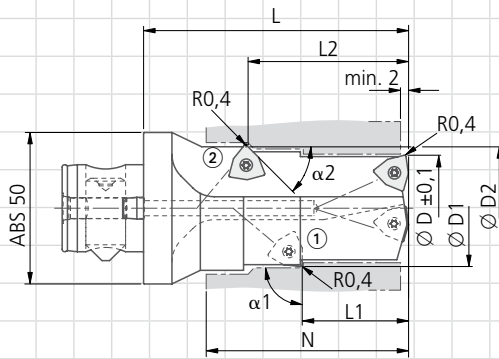
L1 =

α1 =

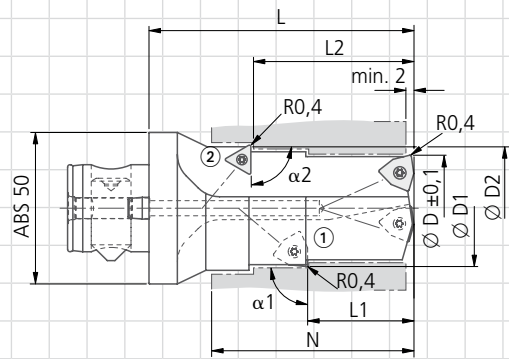
∅ D2 =

L2 =

α2 =



N420012000



N420013000

XV12...

Please provide workpiece sketch!

Delivery consists of: Basic tool body. Insert not included.

This order is subject to the KOMET GROUP GmbH conditions of supply and payment.