

Order No. / Order date	Please state Customer No.	Signature	KOMET internal
------------------------	---------------------------	-----------	----------------

Company:

Contact:

Address:

Department:

Phone:

Fax:

E-Mail:

Order

Inquiry

Quantity:

Material to be machined:

∅ D =

N =

∅ D1 =

L1 =

α1 =

∅ D2 =

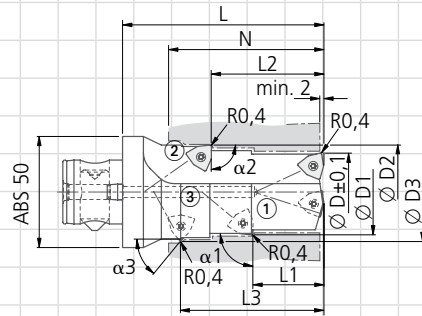
L2 =

α2 =

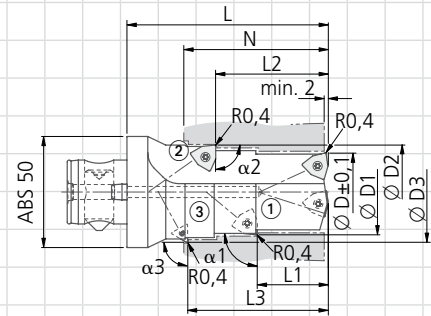
∅ D3 =

L3 =

α3 =



XV12... N420014000



N420015000

Please provide workpiece sketch!

Delivery consists of: Basic tool body. Insert not included.

This order is subject to the KOMET GROUP GmbH conditions of supply and payment.