

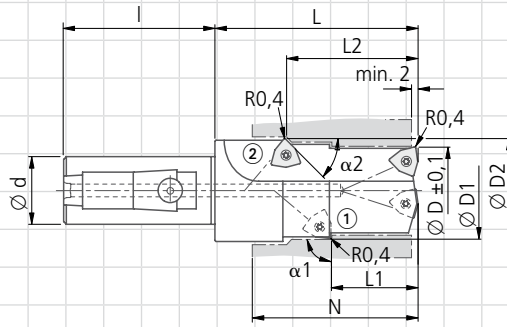
Order No. / Order date	Please state Customer No.	Signature	KOMET internal
------------------------	---------------------------	-----------	----------------

Company:	Contact:
Address:	Department:
	Phone:
	Fax:
	E-Mail:

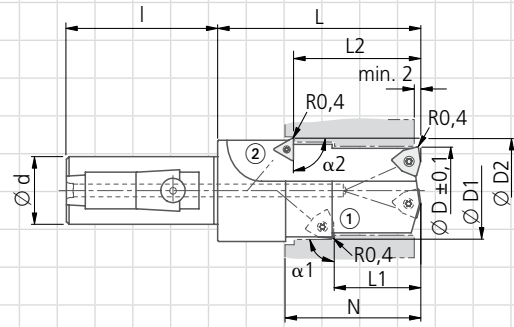
Order
 Inquiry
 Quantity:

Material to be machined:

Ø D =
 N =
 Ø D1 =
 L1 =
 α1 =
 Ø D2 =
 L2 =
 α2 =
 Ø d =
 XV85...



N420018000



N420019000

Please provide workpiece sketch!

Delivery consists of: Basic tool body. Insert not included.

This order is subject to the KOMET GROUP GmbH conditions of supply and payment.