

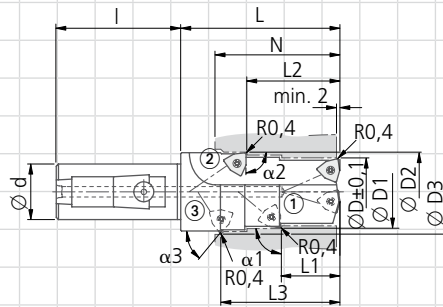
Order No. / Order date	Please state Customer No.	Signature	KOMET internal
------------------------	---------------------------	-----------	----------------

Company: Address:	Contact: Department: Phone: Fax: E-Mail:
----------------------	--

Order
 Inquiry
 Quantity:

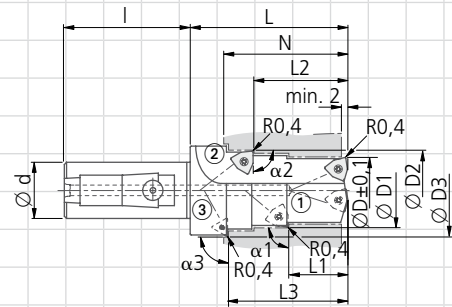
Material to be machined:

- ∅ D =
- N =
- ∅ D1 =
- L1 =
- α1 =
- ∅ D2 =
- L2 =
- α2 =
- ∅ D3 =
- L3 =
- α3 =
- ∅ d =



XV85...

N420020000



N420021000

Please provide workpiece sketch!

Delivery consists of: Basic tool body. Insert not included.

This order is subject to the KOMET GROUP GmbH conditions of supply and payment.