

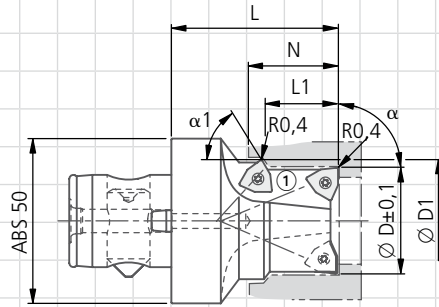
Order No. / Order date	Please state Customer No.	Signature	KOMET internal
------------------------	---------------------------	-----------	----------------

Company: Address:	Contact: Department: Phone: Fax: E-Mail:
----------------------	--

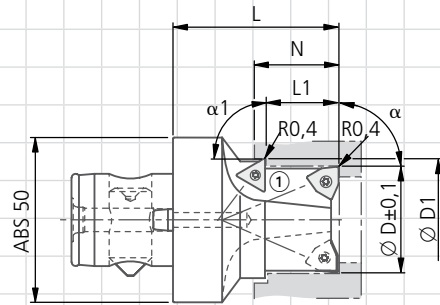
Order     
  Inquiry     
 Quantity:

Material to be machined:

$\varnothing D =$   
 $\alpha =$   
 $N =$   
 $\varnothing D1 =$   
 $L1 =$   
 $\alpha1 =$



N420025000



N420027000

Please provide workpiece sketch!

Delivery consists of: Basic tool body. Insert not included.

This order is subject to the KOMET GROUP GmbH conditions of supply and payment.