

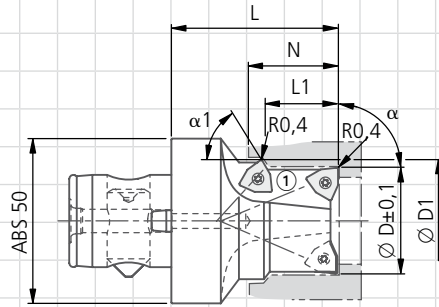
|                        |                           |           |                |
|------------------------|---------------------------|-----------|----------------|
| Order No. / Order date | Please state Customer No. | Signature | KOMET internal |
|------------------------|---------------------------|-----------|----------------|

|                      |  |
|----------------------|--|
| Company:<br>Address: | Contact:<br>Department:<br>Phone:<br>Fax:<br>E-Mail: |
|----------------------|--|

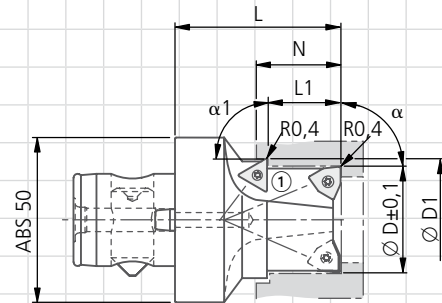
Order     
  Inquiry     
 Quantity:

Material to be machined:

$\varnothing D =$   
 $\alpha =$   
 $N =$   
 $\varnothing D1 =$   
 $L1 =$   
 $\alpha1 =$



N420025000



N420027000

Please provide workpiece sketch!

Delivery consists of: Basic tool body. Insert not included.

This order is subject to the KOMET GROUP GmbH conditions of supply and payment.