

Order No. / Order date	Please state Customer No.	Signature	KOMET internal
------------------------	---------------------------	-----------	----------------

Company:

Address:

Contact:

Department:

Phone:

Fax:

E-Mail:

Order

Inquiry

Quantity:

Material to be machined:

Ø D =

α =

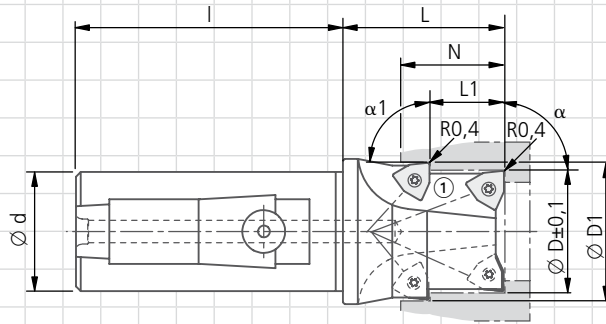
N =

Ø D1 =

L1 =

α1 =

Ø d =



XB97...

N420061000

Please provide workpiece sketch!

Delivery consists of: Basic tool body. Insert not included.

This order is subject to the KOMET GROUP GmbH conditions of supply and payment.