

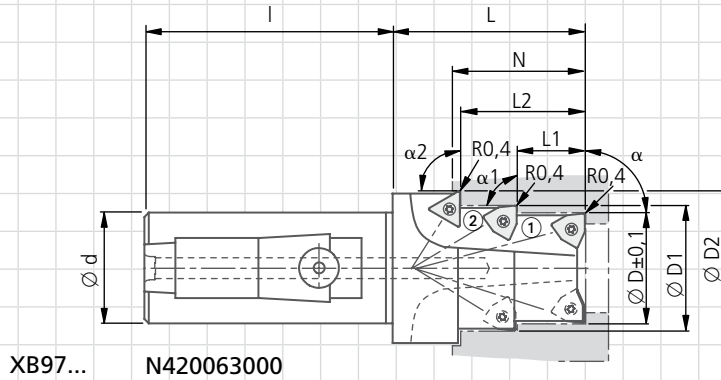
Order No. / Order date	Please state Customer No.	Signature	KOMET internal
------------------------	---------------------------	-----------	----------------

Company:	Contact:
Address:	Department:
	Phone:
	Fax:
	E-Mail:

Order
 Inquiry
 Quantity:

Material to be machined:

- ∅ D =
- L =
- α =
- N =
- ∅ D1 =
- L1 =
- α1 =
- ∅ D2 =
- L2 =
- α2 =
- ∅ d =



Please provide workpiece sketch!

Delivery consists of: Basic tool body. Insert not included.

This order is subject to the KOMET GROUP GmbH conditions of supply and payment.