

INSERT REAMING TECHNOLOGY

Unique: Reaming with
Insert Technology



Info



A unique process: Reaming with insert technology

Cost efficient reaming has been redefined with reaming technology from Dihart using inserts. An extreme increase in tool life, simplified tool preparation and the use of the latest cutting materials and coatings produce a clear improvement in productivity in the reaming process.

The technology

The use of inserts is revolutionising reaming and setting new levels in precision and function.

Similar to boring, each insert has two effective cutting edges.

Unlike boring tools, inserts for reaming tools are ground as a complete set directly on the basic element in their specific insert pocket.

The positions of the individual cutting edges on an insert are precisely defined during manufacturing and application. Cutting edges ground in a single operation ensure the degree of precision required for high precision bore machining.

Numerous cutting materials and coatings for machining an extremely wide variety of materials.

Minimising logistics

With the new reaming technology the manufacturer's costly tool preparation required for reaming tools with brazed cutting edges is reduced.

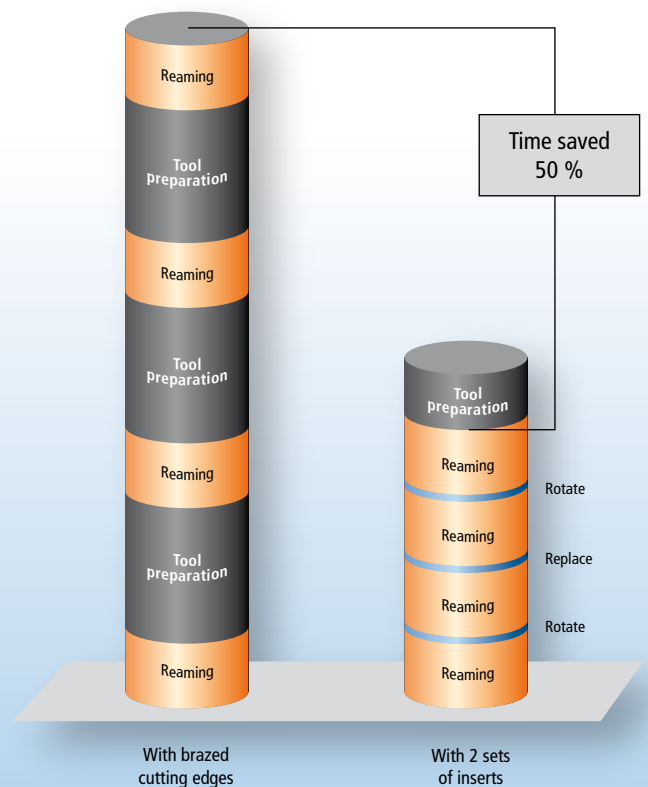
Several sets of precision fit inserts can be produced for one basic holder – this gives you more flexibility and considerably reduces your time and logistics.

Maximum availability and the shortest delivery times guarantee flexibility and speed.



Advantages:

- ✓ Ground to size for maximum precision
- ✓ Low cost tool logistics
- ✓ Shortest preparation time
- ✓ Maximum flexibility
- ✓ Concept can be used for an extremely wide variety of Dihart tools
- ✓ Low cost changes to tool and geometry
- ✓ Can be adjusted for extremely small bore tolerances



Two cutting edges, doubles the tool life

Without affecting the tool's precision inserts can be rotated or replaced in the shortest possible time. This minimises setting time and doubles the tool life by using two cutting edges.

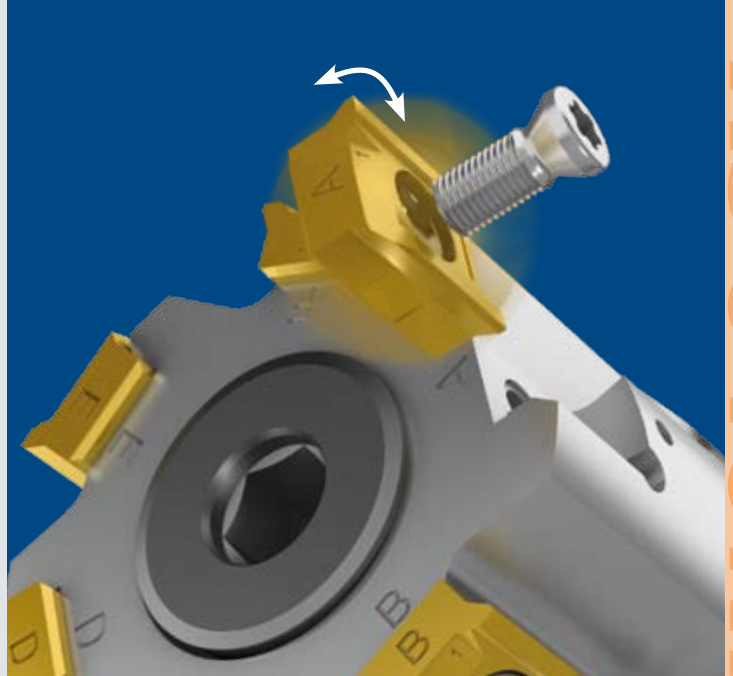
Changing inserts is child's play – The safe concept for tool accuracy

The inserts, which are ground on both sides and located directly in the insert pocket on the basic element, guarantee the maximum precision and surface finish required in the reaming operation. Together with the basic element the inserts form a closed unit.

To make sure the inserts are properly rotated, these are provided with a mark which clearly indicates its position and location in the basic element. This guarantees perfect interaction.

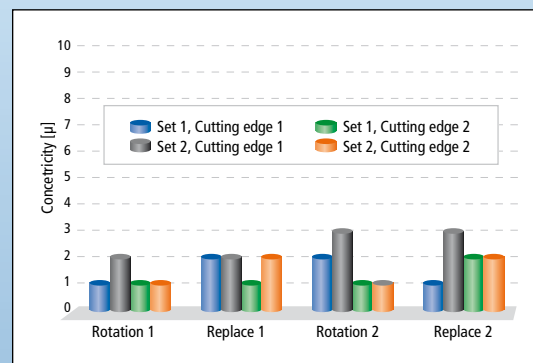
The basic element itself is designed to be extremely durable and can be refitted and used almost any number of times.

As the basic element is not subjected to any thermal stress during tool preparation, precision and stability are guaranteed.

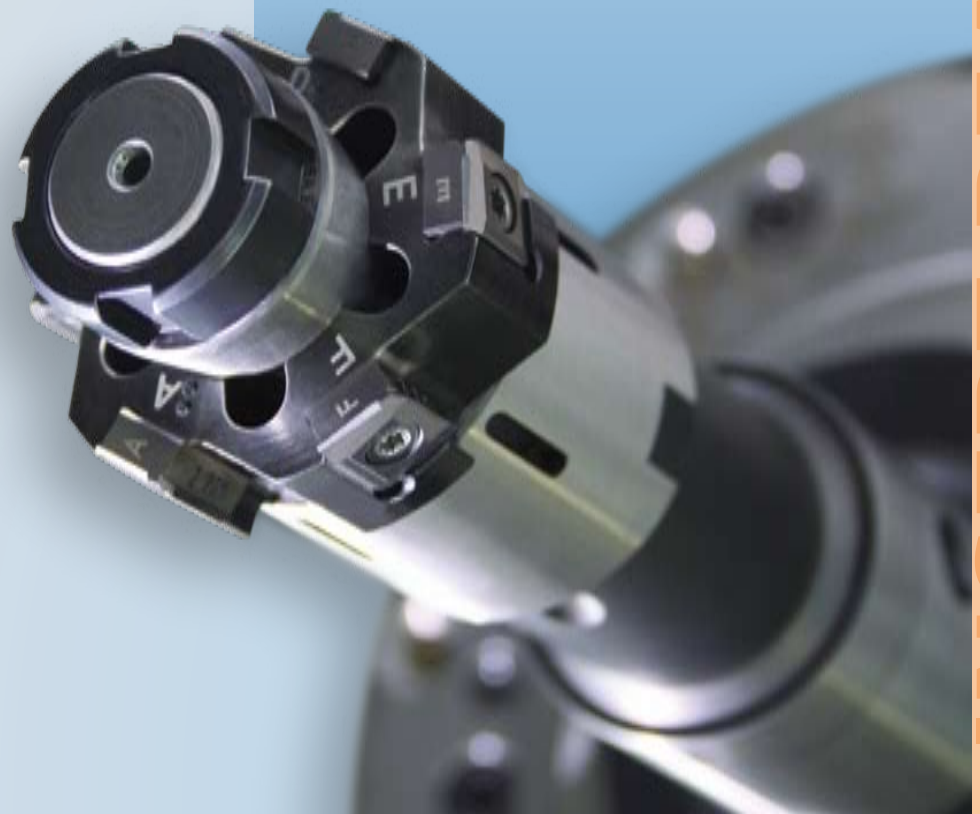


All inserts and insert pockets are marked with letters to ensure correct allocation.

Number marking ensures all inserts have the same location.



Precision of rotations and replacements



Insert reaming tools can be supplied on request. They are designed as integral tools or as a modular tool system, depending on use. For the smallest tolerances they can be produced in an adjustable version. The tools can be supplied in single or multi-stop versions in the diameter range 46 – 140 mm.



Monoblock tools

Reaming tools can be supplied in the diameter range 46 – 140 mm as monoblock tools with Insert Technology and can be produced as an adjustable or fixed version.



Stepped tools

Stepped tools are custom-made and produced individually as specials.



Reamax® TS

Reaming tools with Insert Technology are also available with the new Reamax® TS connection.

Germany

KOMET GROUP GmbH
 Zeppelinstraße 3
 74354 Besigheim
 Tel. +49(0)7143.373-0
 Fax +49(0)7143.373-233
 info@kometgroup.com
 www.kometgroup.com

KOMET Precision Tools GmbH & Co. KG
 Zeppelinstraße 3
 74354 Besigheim
 Tel. +49(0)7143.373-0
 Fax +49(0)7143.373-233
 info@kometgroup.com

JEL Precision Tools GmbH + Co. KG
 Ruppmannstraße 32
 70565 Stuttgart / Vaihingen
 Tel. +49(0)711.78891-0
 Fax +49(0)711.78891-11
 info@kometgroup.com

Brazil

Komet do Brasil Ltda.
 Rua Brasileira, 439
 07043-010 Guarulhos - São Paulo
 BRASIL
 Tel. +55(0)11.6423-5502
 Fax +55(0)11.6422-0069
 komet@kometdobrasil.com.br

China

KOMET GROUP
 Precision Tools (Taicang) Co., Ltd.
 (Headquarter Asia Pacific)
 No. 5 Schaeffler Road
 Taicang, Jiangsu Province, 215400
 China
 Tel. +86(0)512.535757-58
 Fax +86(0)512.535757-59
 info@kometgroup.cn

France

KOMET GROUP S.à.r.l.
 46-48 Chemin de la Bruyère
 B.P. 47
 69572 Dardilly CEDEX
 Tel. +33(0) 4 37 46 09 00
 Fax +33(0) 4 78 35 36 57
 info.fr@kometgroup.com

Great Britain

KOMET (UK) Ltd.
 Unit 4 Triton Park
 Brownsver Road
 Swift Valley / Rugby
 CV21 1SG
 Tel. +44(0)1788.5797-89
 Fax +44(0)1788.5797-90
 info@kometgroup.co.uk

India

KOMET Precision Tools India Pvt. Ltd.
 121/B, Bommasandra Industrial Area
 BANGALORE - 560 099 INDIA
 Tel. +91-80-27834821
 Fax +91-80-27834495
 info@kometindia.com

Italy

KOMET Utensili S.R.L.
 Via Menotti Serrati 74
 20098 S. Giuliano Mil.
 Tel. ++39-02-98 40 28 1
 Fax ++39-02-98 44 96 2
 kometita@tin.it

Japan

KOMET GROUP KK
 2202-1 Ooyama Komaki city
 485-0026 Aichi
 Japan
 Tel. +81(0)568-74-7331
 Fax +81(0)568-74-7332
 info@kometgroup.jp

Mexico

KOMET de Mexico
 S. de R. L. de C.V.
 Acceso „A“, No. 110
 Parque Industrial Jurica,
 76120, Queretaro, Oro, Mexico
 Tel. ++52 442 2-18-25-44
 Fax ++52 442 2-18-20-77
 KometdeMexico@komet.com

Austria

KOMET GROUP GmbH
 Wagramer Straße 173
 1220 Wien
 Tel. ++43-1-2 59 22-04
 Tel. ++43-1-2 59 22-12
 Fax ++43-1-2 59 22-12-76
 info.at@kometgroup.com

Poland

KOMET-URPOL Sp.z o.o.
 ul. Stocniowców 2
 PL 47-200 Kędzierzyn-Koźle
 Tel. ++48-77-482 90 60
 Fax ++48-77-406 10 70
 urpol@urpol.com.pl

Sweden

Square Tools AB
 Box 9177
 20039 Malmö
 Tel. ++46-40-49 28 40
 Fax ++46-40-49 19 95
 square@squaretools.se

Switzerland

Dihart AG Precision Tools
 Industriestrasse 2
 4657 Dulliken
 Tel. ++41-62-2 85 42 00
 Fax ++41-62-2 85 42 99
 info_dpt@kometgroup.com

USA

KOMET of America, Inc.
 2050 Mitchell Blvd.
 Schaumburg
 IL 60193-4544 USA
 Tel. ++1-8 47-9 23 / 84 00
 Tel. ++1-8 47-9 23 / 84 80
 Fax ++1-8 00-8 65 / 66 38
 customerservice@komet.com