

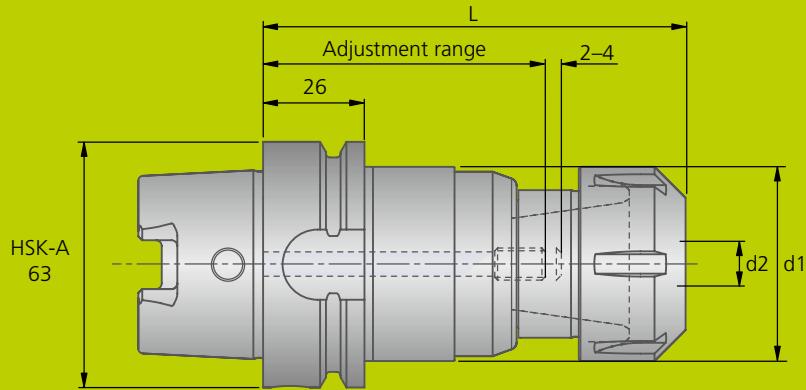



**JEL<sup>®</sup> JSF**  
Synchro tapping chuck

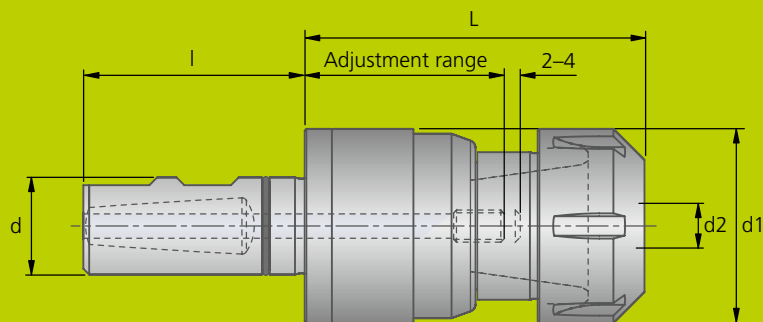
# JEL® JSF Synchro tapping chuck


- with ISO 12164-1 HSK-A and  
cylindrical shank DIN 1835

- internal coolant supply (max. 50 bar)  
- MQL 1-channel system



JSF HSK-A								Accessory	
for thread	Article	Order No.	HSK-A d	d1	Clamping range for collet d2	L		Collet with square drive Size	Seal disc for collet nut Size
M4 – M12	JSF-HSK-A63-20-96	5079502 6002000	63	34	4,5 – 11,2	96	0,98	ER20	DS/ER20
M4 – M20	JSF-HSK-A63-32-109	5079502 6003200	63	50	4,5 – 18,0	109	1,48	ER32	DS/ER32
M4 – M12	JSF-HSK-A63-20-160	5079602 6002000	63	34	4,5 – 11,2	160	1,40	ER20	DS/ER20



JSF cylindrical shank								Accessory	
for thread	Article	Order No.	Cylindrical shank d x l	d1	Clamping range for collet d2	L		Collet with square drive Size	Seal disc for collet nut Size
M4 – M12	JSF-ZS1835-20-71	5079500 4002000	25 x 57	34	4,5 – 11,2	73	0,54	ER20	DS/ER20
M4 – M20	JSF-ZS1835-32-88	5079500 4003200	25 x 57	50	4,5 – 18,0	87,5	0,65	ER32	DS/ER32

Length adjustment 2 – 4 mm

### Supply includes:

Synchro tapping chuck with coolant tube, screw set and key.

Please order separately: collet with square drive and seal disc for collet nut.

# JEL® JSF Synchro tapping chuck



Modern CNC machines allow synchronous thread tapping without a compensating chuck, also called „rigid tapping“.

The backlash of the spindle causes stress to one side of the cut tap or form tap, respectively. This may result in a reduced tool life and lack of quality in the surface of the thread.

JEL synchro tapping chucks compensate for the length errors caused by the backlash and create the prerequisites for achieving optimum performance from your tapping tools.



## Benefits for you:

- Optimum tool performance
- Maximum tool life
- Can be used with internal coolant supply or MQL 1 channel system

			ER20		ER32	
			Collet with square drive	Seal disc for collet nut	Collet with square drive	Seal disc for collet nut
d×SW	l	Standard	Order No.	Order No.	Order No.	Order No.
4,5×3,4	14/18	DIN	52805 20045	52806 20045	52805 32045	52806 32045
5,5×4,3	18	DIN	52805 20055	52806 20055		
6,0×4,9	18	DIN	52805 20060	52806 20060	52805 32060	52806 32060
7,0×5,5	18	DIN	52805 20070	52806 20070	52805 32070	52806 32070
8,0×6,2	18	DIN	52805 20080	52806 20080	52805 32080	52806 32080
9,0×7,0	22	DIN	52805 20090	52806 20090	52805 32090	52806 32090
10,0×8,0	22	DIN	52805 20100	52806 20100	52805 32100	52806 32100
11,0×9,0	25	DIN	52805 20110	52806 20110	52805 32110	52806 32110
12,0×9,0	25	DIN			52805 32120	52806 32120
14,0×11,0	25	DIN			52805 32140	52806 32140
16,0×12,0	25	DIN			52805 32160	52806 32160

**GERMANY**

KOMET GROUP GmbH  
Zeppelinstraße 3  
74354 Besigheim  
Tel. +49(0)7143.373-0  
Fax +49(0)7143.373-233  
info@kometgroup.com

**GERMANY**

KOMET GROUP GmbH  
Werk Stuttgart-Vaihingen  
Ruppmannstraße 32  
70565 Stuttgart / Vaihingen  
Tel. +49(0)711.78891-0  
Fax +49(0)711.78891-11  
info@kometgroup.com

**BRAZIL**

KOMET do Brasil Ltda.  
Rua Brasileira, 439  
07043-010 Guarulhos - São Paulo  
Tel. +55(0)11.2423-5502  
Fax +55(0)11.2422-0069  
info.br@kometgroup.com

**CHINA**

KOMET GROUP  
Precision Tools (Taicang) Co., Ltd.  
(Headquarter Asia Pacific)  
No. 5 Schaeffler Road  
Taicang, Jiangsu Province, 215400  
Tel. +86(0)512.535757-58  
Fax +86(0)512.535757-59  
info.cn@kometgroup.com

**FRANCE**

KOMET S.à.r.l.  
46-48 Chemin de la Bruyère  
69574 Dardilly CEDEX  
Tel. +33(0) 4 37 46 09 00  
Fax +33(0) 4 78 35 36 57  
info.fr@kometgroup.com

**GREAT BRITAIN**

KOMET (UK) Ltd.  
Unit 4 Triton Park  
Brownsover Road  
Swift Valley  
Rugby, CV21 1SG  
Tel. +44(0)1788.5797-89  
Fax +44(0)1788.5797-90  
info.uk@kometgroup.com

**INDIA**

KOMET Precision Tools India Pvt. Ltd.  
121/B, Bommasandra Industrial Area  
BANGALORE - 560 099  
Tel. +91-80-27834821  
Fax +91-80-27834495  
info.in@kometgroup.com

**ITALY**

KOMET Utensili S.R.L.  
Via Massimo Gorki n. 11  
20098 S. Giuliano Mil.  
Tel. +39-02-98 40 28 1  
Fax +39-02-98 44 96 2  
info.it@kometgroup.com

**JAPAN**

KOMET GROUP KK  
# 180-0006  
1-22-2 Naka-cho Musashino-shi  
Tokyo Japan  
Grand Preo Musashino 203  
Tel. +81(0)422 50 0682  
Fax +81(0)422 50 0683  
info.jp@kometgroup.com

**KOREA**

KOMET GROUP Precision Tools  
Korea Co.,Ltd.  
#201, Lotte IT Castle-2, 550-1,  
Gasandong, Geumcheon-gu,  
Seoul, 153-768  
Tel. +82(0)2.2082-6300  
Fax +82(0)2.2082-6309  
info.kr@kometkorea.com

**MEXICO**

KOMET de Mexico  
S. de R. L. de C.V  
Acceso „A“, No. 110  
Parque Industrial Jurica,  
76120, Queretaro, Qro. Mexico  
Tel. +52-442 2-18-25-44  
Fax +52-442 2-18-20-77  
info.mx@kometgroup.com

**AUSTRIA**

KOMET GROUP GmbH  
Wagramer Straße 173  
1220 Wien  
Tel. +43-1-2 59 22-04  
+43-1-2 59 22-12  
Fax +43-1-2 59 22 12-76  
info.at@kometgroup.com

**POLAND**

KOMET-URPOL Sp.z.o.o.  
ul. Stoczniewców 2  
47-200 Kędzierzyn-Koźle  
Tel. +48-77-482 90 60  
Fax +48-77-406 10 70  
info.pl@kometgroup.com

**RUSSIA**

KOMET GROUP GmbH  
ul. Spartakovskaya, 2V  
420107, Kazan  
Tel. +7 843 5704345  
Fax +7 843 2917543  
info.ru@kometgroup.com

**SWEDEN**

Square Tools AB  
Box 9177  
20039 Malmö  
Tel. +46-40-49 28 40  
Fax +46-40-49 19 95  
info.se@kometgroup.com

**SWITZERLAND**

KOMET DIHART AG Precision Tools  
Industriestrasse 2  
4657 Dulliken  
Tel. +41(0)62.2854-200  
Fax +41(0)62.2854-202  
info.ch@kometgroup.com

**SPAIN**

KOMET IBERICA TOOLS, S.L.  
Av. Corts Catalanes 9-11  
Planta baja, local 6B  
08173 SANT CUGAT DEL VALLES  
Tel. +34-93-583.96.20  
Fax +34-93-583.96.12

**CZECH REPUBLIC**

KOMET GROUP CZ s.r.o.  
Na Hůrce 1041/2,  
160 00 Praha 6  
Tel. +42(0)2 35 01 00 10  
Fax +42(0)2 35 31 18 90  
info.cz@kometgroup.com

**USA**

KOMET of America, Inc.  
2050 Mitchell Blvd.  
Schaumburg  
IL 60193-4544  
Tel. +1-8 47-9 23 / 84 00  
+1-8 47-9 23 / 84 80  
Fax +1-8 00-8 65 / 66 38  
customerservice@komet.com

[www.kometgroup.com](http://www.kometgroup.com)